



Model ACSPR-SCS4-1509 shown



Specifications:

ACSPR-SCS4-1509 (rocker switch),
ACSPR-SCS4-1509K (key switch),
ACR-SCS4-1509 (rocker switch - no surge),
ACR-SCS4-1509K (key switch - no surge)

General

Power Rating: 120VAC, 60Hz, 15A 1800W
Actuation Switch: Front panel rocker or key switch with momentary contacts (normally open SPST) plus rear barrier strip termination blocks for momentary (normally open) remote switches.
Alarm Interface: Lock on, lock off and switch lock functions for alarm system or master control panel applications.

External Control

Connections: Plug-in barrier strip terminal blocks
EMI/RFI Filter: 19dB@500kHz, 42dB@30MHz
Safety Agency Approvals: ETL Listed in US and Canada to UL Standard 60065 'Audio, Video and Similar Electronic Apparatus'.

Mechanical

Dimensions / weight: 19"W x 1.75"H (1RU) x 9"D / 12 lbs.
Receptacles: (9)
 Front: One single unswitched - always on
 Rear: Two single unswitched - always on,
 Step 1: One single switched,
 Step 2: One single switched
 Step 3: One duplex switched
 Step 4: One duplex switched
Delay between steps: 0.5 - 10 seconds (front screwdriver adjust)
Chassis construction: Steel with black powder epoxy paint finish.

Surge Suppressor [Model ACSPR-SCS4-1509(-K) only]

Max Surge Current: 72,000A (exceeds UL1449-2 6000V, 3000A).
Initial Clamping Voltage: 205V, UL rating 330V
Max Pulse Rating: 1kv >= 1 million hits, 3Kv >= 100,000 hits, 6Kv >= 5000 hits (Lifetime curve)
Transient Noise Reduction: 25dB@100kHz, 50dB@1MHz
Response Time: Less than 5 nanoseconds
Protection Mode: Line to Neutral, zero ground leakage
UL1449-2 Adjunct: Grade A (1000 surges, 6000 volts, 3000A, C1 and B3 waveforms (ANSI/IEEE C62.41), No failures.
Federal GSA specs (1996): Class 1, Mode 1
Diagnostic Indicators (LED's) Left (Green): On = Ground verified, Center (Green): On = Protection full, Right (Red): On = Protection reduced*.
Applicable Standards: IEEE standard 587-80 A & B, IEEE standard C62.41-1991, IEC 1000-4-5-1995 (IEC 801-5).

Accessories (order separately)

Remote Switches (momentary) Series RPSW-M, RPSW2-M, RPSB-M, RPSB2-M

**Lowell's Triple Clamping Redundancy is exactly that - triple clamping for triple protection. This means that if one section of the suppressor has 'reduced protection', there are two additional sections available to safeguard equipment. Device is endurance tested: Grade A, Class 1, Mode 1.*

Description

Model ACSPR-SCS4-1509(K) is a rackmount 4-step sequential power panel with surge suppression and alarm interface. Model ACR-SCS4-1509(K) is the same without surge suppression. Both versions are ETL Listed in the US and Canada to UL Standard 60065. They have a power rating of 120V AC, 60Hz/15A with EMI/RFI filtering and include three unswitched single outlets (one front, 2 rear) and six rear switched outlets (2 single, 2 duplex) for sequential activation of connected equipment. Both are offered with rocker or key switch (K) activation.

Both sequential power panels are engineered to provide time delayed 4-step activation and de-activation of equipment that is directly plugged in to the unit. The adjustable delay between sequenced steps is located on the front of the unit and may be set at 0.5 to 10 seconds. Adjustments are made using a small screwdriver to avoid unintended sequence changes. *For low voltage sequence control of equipment, see Lowell's SCS Series sequencers used with remote power controls.*

Surge suppressor equipped Model ACSPR-SCS4-1509(K) also provides GSA Grade A - Mode 1 - Class 1 endurance along with UL1449-2 and ANSI C62.41 surge suppression compliance. It defeats surges up to 72,000A using Lowell's Triple Clamping Redundancy™ (TCR) technology.

All sequential power panels are packaged in a slim 1RU chassis with clearly marked and color coded LED's on the front for status indication of connected equipment. The rear panel includes a terminal block for connection to optional remote switches (momentary style - order separately). Lowell offers a wide selection of momentary switches with decora-style wall plate or in 1RU rackmount panels. The rear panel includes a terminal block so that system switches can be overridden for life safety system applications where fire code mandates an alarm interface. Models are offered with a rocker or keyswitch (suffix -K) activation.

A & E Specifications

The sequential AC power panel shall be Lowell Model _____ (ACSPR-SCS4-1509, ACR-SCS4-1509). It shall be ETL Listed and have a power rating of 120VAC, 60Hz/15A with EMI/RFI filtering and nine outlets (3 unswitchd, six switched) to sequentially activate/deactivate equipment in four steps with a sequence delay of 0.5 to 10 sec. It shall be housed in a 1RU rackmount chassis with color coded LED's. Model with surge suppression, ACSPR-SCS4-1509, shall provide GSA Grade A - Mode 1- Class 1 protection. Front activation shall be via a rocker switch or keyswitch (suffix -K). Optional remote switches with momentary closure may be used; specify Lowell Series RPSW-M or RPSB-M.



ACSPR-SCS4-1509(K), ACR-SCS4-1509(K)

19" Rackmount AC Power with Sequencer & Opt'l Surge Protection

POWER

Red LED
 FLASHING = Down cycle in progress.
 STEADY ON = Down cycle completed (system off).

Green LED
 FLASHING = Up cycle in progress.
 STEADY ON = Up cycle completed (system on).

This area is blank on Model ACR-SCS-1509



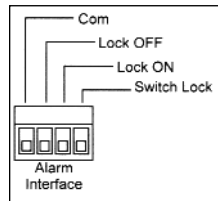
Green LED's - Indicate progress of UP and DOWN sequence
Delay - Recessed trim pot with screwdriver adjust.

Front (ACSPR-SCS4-1509 shown)



Rear (ACSPR-SCS4-1509 shown)

Alarm System Interface Detail



If required by local building code, facility usage, or the Fire Marshal; the system switches can be overridden and the system controlled by contact closures provided the fire alarm panel or other similarly installed device. A maintained contact between the 'com' terminal and any of the terminals shown will provide the following functions.

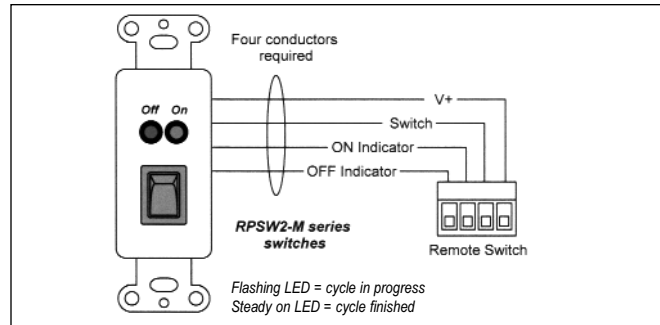
Lock Off: A maintained contact between the 'com' terminal and the 'lock off' terminal will turn the system off and keep it off regardless of other switch activations. If the system is already off, it will be kept off.

Lock On: A maintained contact between the 'com' terminal and the 'lock on' terminal will turn the system on and keep it on regardless of other switch activations. If the system is already on, it will be kept on.

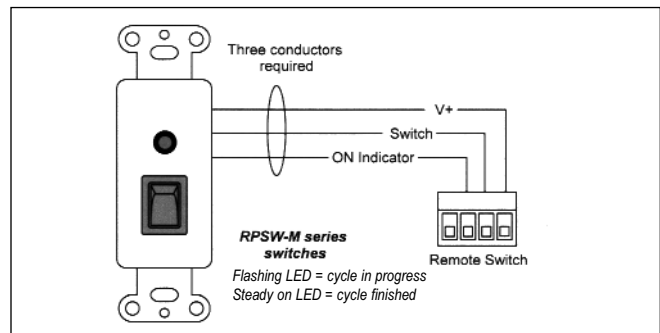
Switch Lock: A maintained contact between the 'com' terminal and the 'switch lock' terminal will lock the system in its current state, either on or off, regardless of any other switch activations. *Note: Switch lock function is overridden by External Trigger voltage.*

Caution: Do not allow alarm system to make more than one of the above described contacts at the same time. Controller board damage may result.

Remote Switch Connection Detail



Momentary Switches with 2 LED's
 Wallplate Series RPSW2-MP (white), RPSB2-MP (black),
 1RU panel Model RPSB2-MR



Momentary Switches with 1 LED
 Wallplate Series RPSW-MP (white), RPSB-MP (black),
 1RU panel Model RPSB-MR

Maximum wire distances
 24ga: 20,000 ft (approx. 3.5 miles), 22ga.: 31,200 ft. (approx. 5.5 miles), 18ga.:
 76,800 ft. (approx. 13.5 miles)



AC Strips
Rackmount
Vertical

AC
Loadcenters
(sequenced)

AC Surge
Protection
/ Filtering

AC
Remotely
Controlled

Low Voltage
Sequencers
Accessories

Accessory Remote Switches (order separately)



RPSB2-MKP RPSB2-MP



RPSW2-MP RPSW2-MKP



RPSW-MR

Panels with Cord